

MS Star-delta Starter

Specification



MS-S1

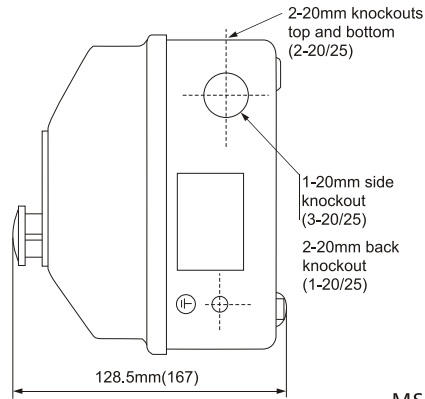
Type	Rated Current Ac ₃ 415V(A)	3-phase Motor Capacity Ac ₃ load 415V	
Direct-on-line, surface mounting Direct-on-line, flush mounting Direct-on-line, surface mounting, reversing Direct-on-line, surface mounting, with isolator	0.74-1.11A	0.37KW	0.50HP
	1.11-1.66A	0.55KW	0.75HP
	1.66-2.50A	1.10KW	1.50HP
	2.50-3.70A	1.50KW	2.00HP
	3.70-5.60A	2.50KW	3.40HP
	5.60-8.40A	4.00KW	5.50HP
	8.40-11.9A	5.50KW	7.50HP
	11.4-16.0A	7.50KW	10.0HP
	16.0-23.0A	11.0KW	15.0HP
	22.0-33.0A	15.0KW	20.0HP



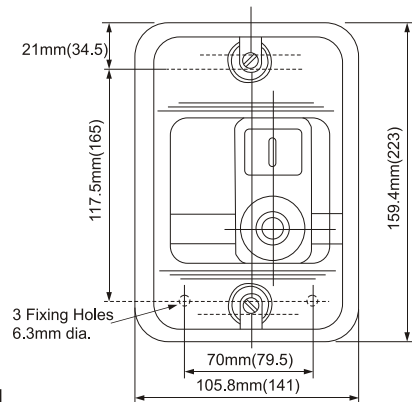
MS-S2

Type	Rated Current Ac ₃ 415V(A)	3-phase Motor Capacity Ac ₃ load 415V		
Star-delta, surface mounting	4.30-6.40A	3.00KW	4.00HP	
	6.40-9.70A	5.00KW	6.80HP	
	9.70-14.5A	7.50KW	10.0HP	
	14.5-20.6A	10.0KW	13.5HP	
	19.7-27.7A	15.5KW	20.0HP	
	26.0-38.0A	22.0KW	30.0HP	
		38.0-57.0A	30.0KW	40.0HP

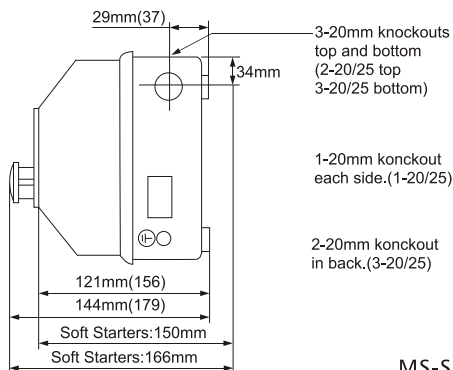
Outline and mounting dimension



MS-S1



MS-S3



MS-S2

